

## Key Features:

- Compact
- Industry standard for work class and small ROVs

# Hydro-Lek HLK-4600 Pan & Tilt

## Camera Booms and Pan & Tilts

**The HLK-4600 Camera Boom Arm has been designed for pipeline inspection work. Using a pair of these arms, pipelines of up to 36" can be easily inspected.**

Its unique design allows the camera mount to stay at the same angle through the entire 120° of angular movement of the arm, without any adjustment. The camera mount can be tilted through a 120° and rotated through 360°. The arm uses Hydro-Lek's standard HLK-1300 hydraulic cylinders and HLK-2150 Pan & Tilt.



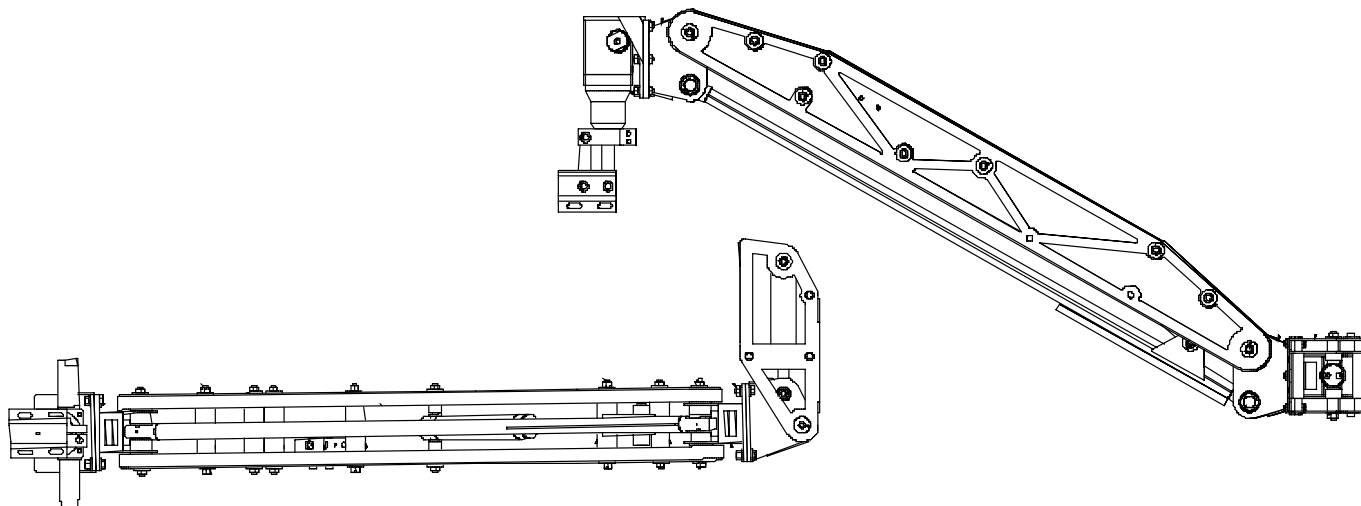
# Hydro-Lek HLK-4600 Pan & Tilt

Camera Booms and Pan & Tilts



## Specifications

<b>Dimensions</b>	Overall length of arm	1625mm
	Overall height	310mm
	Overall width	120mm
<b>Weight</b>	Weight in air	27Kg
	Weight in water	22Kg
<b>Movement range</b>	Up / Down	70-0-50°
	Left / Right	90-0-30°
	Camera Pan / Tilt	360° / 120°
<b>Construction</b>	316 SS	
	HE 30 Hard Anodised Aluminium	
	Polyethylene	



## System Components

Camera boom pair		
Hydraulic hose set		
Operating manual		
Transit case		