

Key Features:

- Compact
- Industry standard for work class and small ROVs

Hydro-Lek HLK-4600

Camera Booms and Pan & Tilts

The HLK-4600 Camera Boom Arm has been designed for pipeline inspection work. Using a pair of these arms, pipelines of up to 36" can be easily inspected.

It's unique design allows the camera mount to stay at the same angle through the entire 120° of angular movement of the arm. The camera mount can be tilted through a 120°. The arm uses Hydro-Lek's standard HLK-1300 hydraulic cylinders. This model can be upgraded to a pan & tilt very easily.



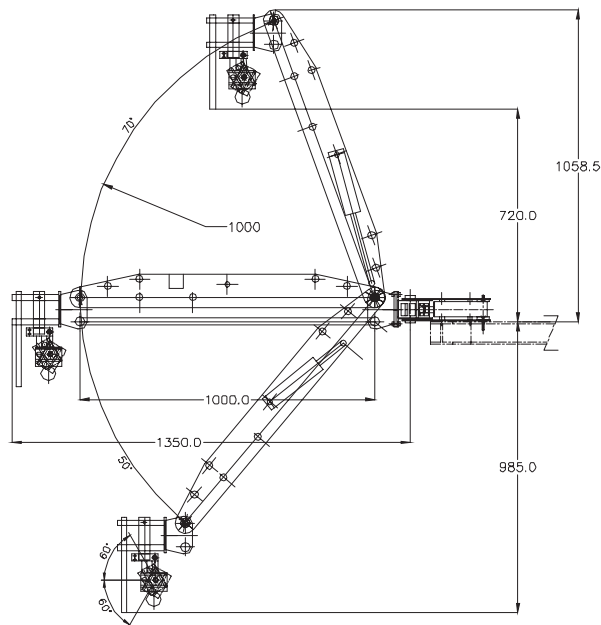
Hydro-Lek HLK-4600

Camera Booms and Pan & Tilts



Specifications

Dimensions	Length of arm	1350mm
	Height	310mm
	Width	120mm
Weight	Weight in air	22Kg
	Weight in water	17Kg
Movement range	Up / Down	70-0-50°
	Left / Right	90-0-30°
	Camera Tilt / Roll	60-0-60°
Construction	316 SS	
	HE 30 Hard Anodised Aluminium	
	Polyethylene	



System Components

Camera boom pair		
Hydraulic hose set		
Operating manual		
Transit case		