

Key Features:

- Compact
- Easily maintained
- Robust

Hydro-Lek HLK-2200

Camera Booms and Pan & Tilts

The HLK-2200 Camera Rotator is a derivative of the HLK-2150 Pan & Tilt using the same base section and camera mount clamp.

It has a very rugged shaft and is for use as a tilt or pan unit only. The redundant slip ring section, which normally drives the pan & tilt unit, can also be used as a high-pressure water jet-port when used as a cleaning head in pipe inspection, cutting and repair tools.



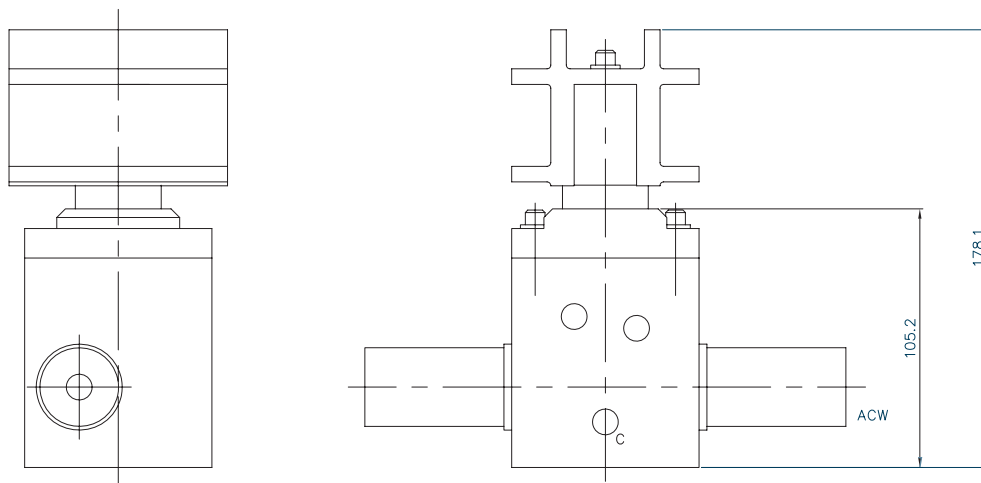
Hydro-Lek HLK-2200

Camera Booms and Pan & Tilts



Specifications

Dimensions	Height	178mm
	Width (360° rotation)	226mm
	Depth	76mm
Function	Pan	360°
Weight	Weight in air	3Kg
	Weight in water	2.2Kg
Material	316 SS	
	HE 30 Hard anodised aluminium alloy	
Hydraulics	Max working pressure	210 Bar
Ports	1/8 NPT c/w No 4 JIC adaptors	



System Components

HLK-2200 Rotary Actuator		
Operating manual		