

Polatrak CP Gun™

General

Polatrak CP Gun is a self-contained, diver-operated cathodic protection meter/probe. The hand-held unit allows the diver to probe a submersed structure to determine its electrochemical potential. Features include twin reference electrodes and dual ultra-bright digital readouts.

Electrode elements*

CP Gun has two electrode elements which are interchangeable to suit specific water environments

Ag/AgCl (Silver/Silver Chloride)

Material	Ag/AgCl with Silver Wire Core
Dimensions	Ø 0.3" x 1.8" [Ø 8 mm x 45 mm]
Accuracy	± 5 mV
Applications	Seawater

Cu/CuSO4 (Copper/Copper Sulphate)

Material	Cu/CuSO4 with copper wire core
Dimensions	Ø 0.3" x 1.4" [Ø 8 mm x 36 mm]
Accuracy	± 5 mV
Applications	Fresh water / Slightly brackish water

Specifications

Depth rating	1000 ft [300 m]
Operating temp.	1°C to 40°C
Voltage range	0 mV to -1999 mV
Input resistance	1 M-Ohm
Power supply	2 No. 9V PP3 alkaline batteries (disposable)

Standard kit components

Offshore storm case, CP Gun, recovery lanyard, Zn calibration coupon, spare electrode, tips, o-rings, lens screws. Additional spares and replacements are available upon request.

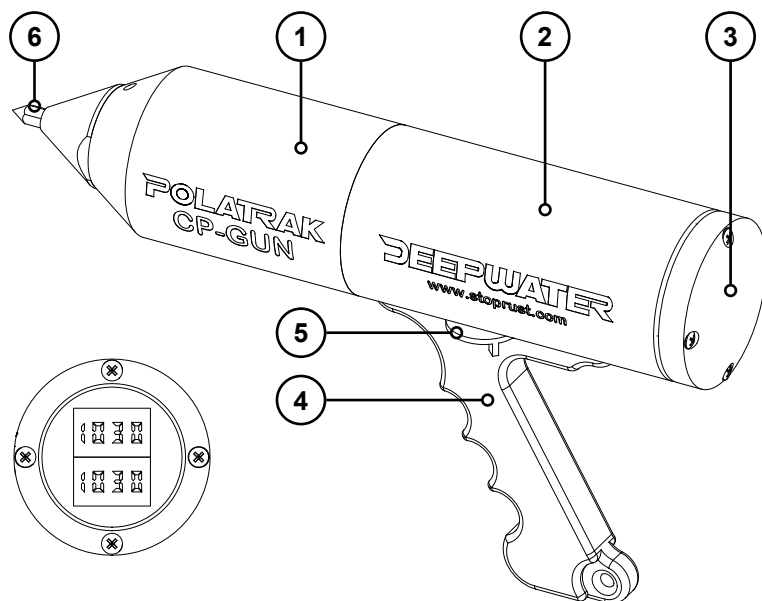
Overall weights & dimensions

CP Gun

Dimensions (W x H x L)	3.5" x 9.5" x 16.5" [89 x 240 x 420 mm]
Weight (Air)	6.5 lb [2.9 kg]
Weight (Water)	1.5 lb [0.7 kg]

Offshore storm case

Dimensions (W x H x D)	14" x 22" x 9" [355 x 560 x 230 mm]
------------------------	--



Main body

Free-flooding housing (Item 1)

Material	Black Delrin
Internal components	Electrode elements, contact tip and a wiring harness
Dimensions	Ø 3.5" x 6.0" [Ø 89 mm x 152 mm]

Pressure housing (Item 2)

Material	Black Delrin
Internal components	LED readouts, batteries and electronic circuitry

Lens assembly (Item 3)

Material	Clear acrylic
Dimensions	Ø 3.5" x 0.9" [Ø 89 mm x 23 mm]
Seal	2 No. O-rings, 1 No. B/U ring
Fixings	4 No. SS316 retaining screws

Handle (Item 4)

Material	Black Delrin
Power switch (Item 5)	Red PVC, allows units to be powered down when not probing
Ancillary Items	1/4" [6.5 mm] nylon rope lanyard Recovery lanyard with float

Contact tip (Item 6)

Material	Stainless Steel 316 pointed tip
Dimensions	60° point, 0.75" [19 mm] long, 0.38" [10 mm] A/F
Features	Fully replaceable