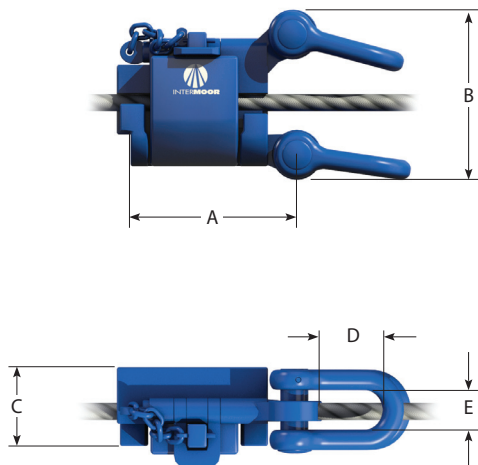


Carpenter Stopper





Wire Dia Range		Stopper Dimensions					Stopper	Bridle	
Wedge Type B mm	Wedge Type A mm	A mm	B mm	C mm	D mm	E mm	Weight kg	Weight kg	SWL Te
8-10	11-13	85	90	41	31	16	1	1.2	2.5
14-18	19-20	149	134	67	38	22	5	2.5	5
22-24	26-28	198	184	93	55	32	15	5.9	10
30-32	35-36	264	235	121	73	38	35	19.5	17
38-40	44	313	294	147	88	48	65	29.6	25
48	52	371	333	173	114	60	100	62	35
54	56	559	498	241	167	89	300	62	40
60	64	559	498	241	167	89	300	74	55
68	72-76	559	498	241	167	89	300	96.5	75

NOTE Other sizes are available. Specification sheet is available on request.

January 15