

BRUCE **ANCHOR**

# BRUCE GP MK2 ANCHOR

Originally designed in the mid 2000's, the Bruce GP anchor has the largest fluke area per tonne, which is a critical factor in defining an anchor's holding capacity in good anchoring soil conditions, such as soft to medium clay and loose to medium dense sand.

The Bruce GP Mk2 keeps the general parameters of the original design, ensuring the same high performance of the anchor, but implemented changes have improved the anchor's handling characteristics, both on the quayside and on a vessel deck.

- Large fluke area offers highest holding capacity.
- Pin securing system offering easy assembly and change of fluke settings.
- Can accommodate rear recovery bridle on shank to enable easy retrieval of anchor.
- Fluke lift points to for handling when on anchor's back.
- Four fluke settings to adapt to a wide range of soil conditions



**ACTEON** | ENGINEERING,  
MOORINGS AND  
FOUNDATIONS

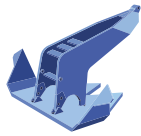


BRUCE **ANCHOR**

## ACTEON

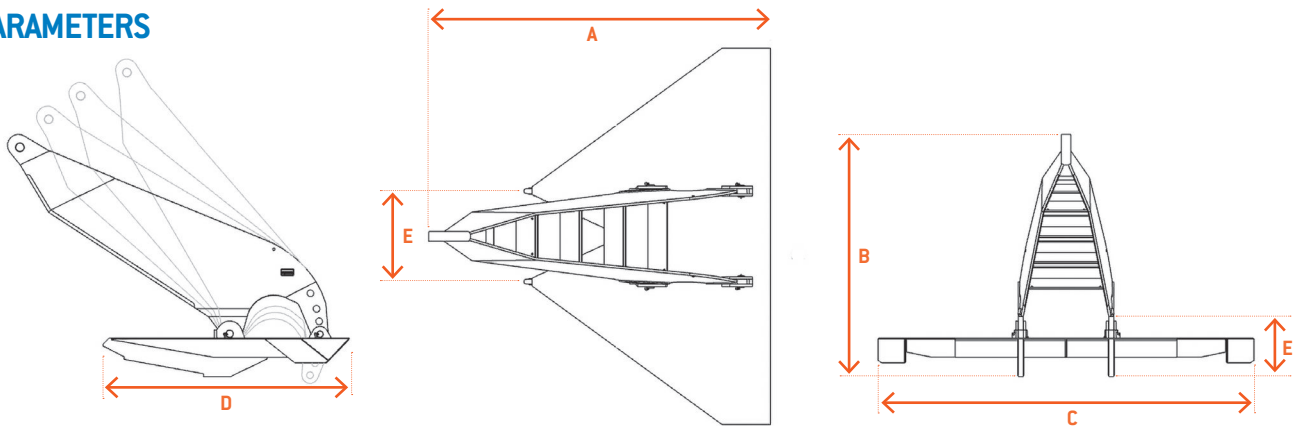
Bruce Anchor is a Moorings and Anchors brand in Acteon's Engineering, Moorings and Foundations division

[www.acteon.com](http://www.acteon.com)



# BRUCE ANCHOR

## PARAMETERS



WEIGHT (KG)	NOMINAL DIMENSIONS (MM)					
	A	B	C	D	E	F
5000	4161	2946	4577	2997	1101	680
9000	5062	3585	5569	3646	1339	827
10000	5265	3728	5791	3792	1393	860
12000	5609	3972	6170	4040	1484	916
15000	6110	4327	6721	4401	1617	998
18000	6385	4521	7023	4599	1689	1043
20000	6632	4696	7295	4777	1755	1083
22000	6800	4816	7480	4898	1799	1110
30000	7616	5394	8378	5486	2015	1244
40000	8323	5894	9156	5995	2202	1359

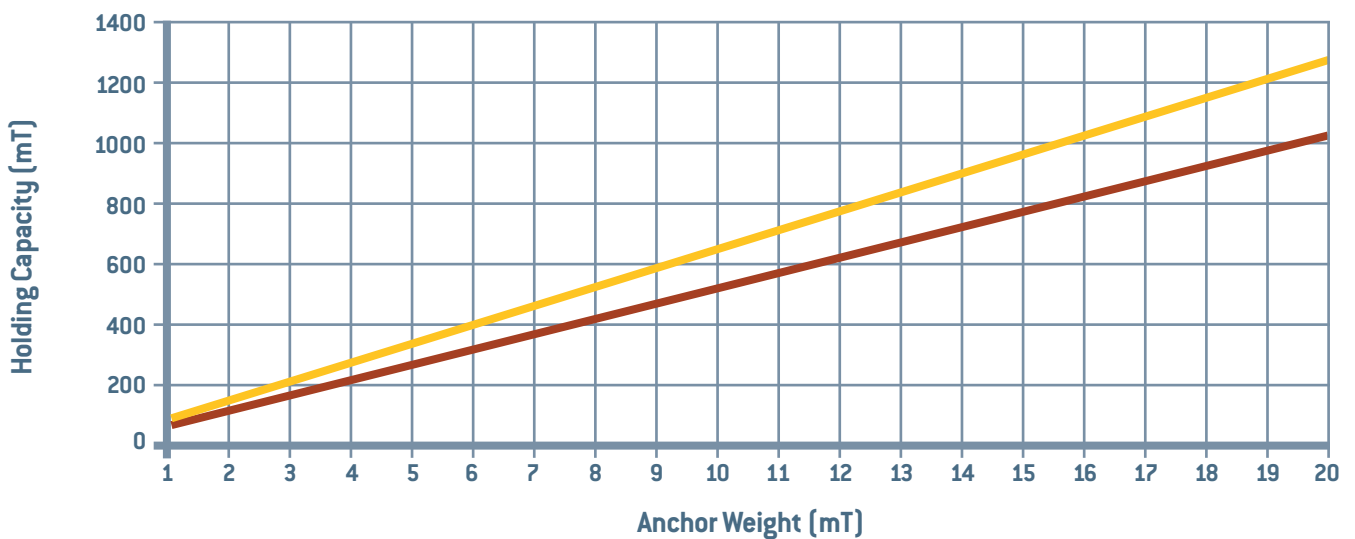
## PERFORMANCE

**Anchor Holding Capacity - chain forerunner in sand and soft clay (mud)**

Bruce FFTS GP - HC(chain/sand) =  $76.15W^{0.94}$  - HC(chain/sand) =  $64.92W^{0.92}$

Bruce FFTS GP chain/sand

Bruce FFTS GP chain/mud



BRUCE ANCHOR

## ACTEON

Bruce Anchor is a Moorings and Anchors brand in Acteon's Engineering, Moorings and Foundations division

[www.acteon.com](http://www.acteon.com)