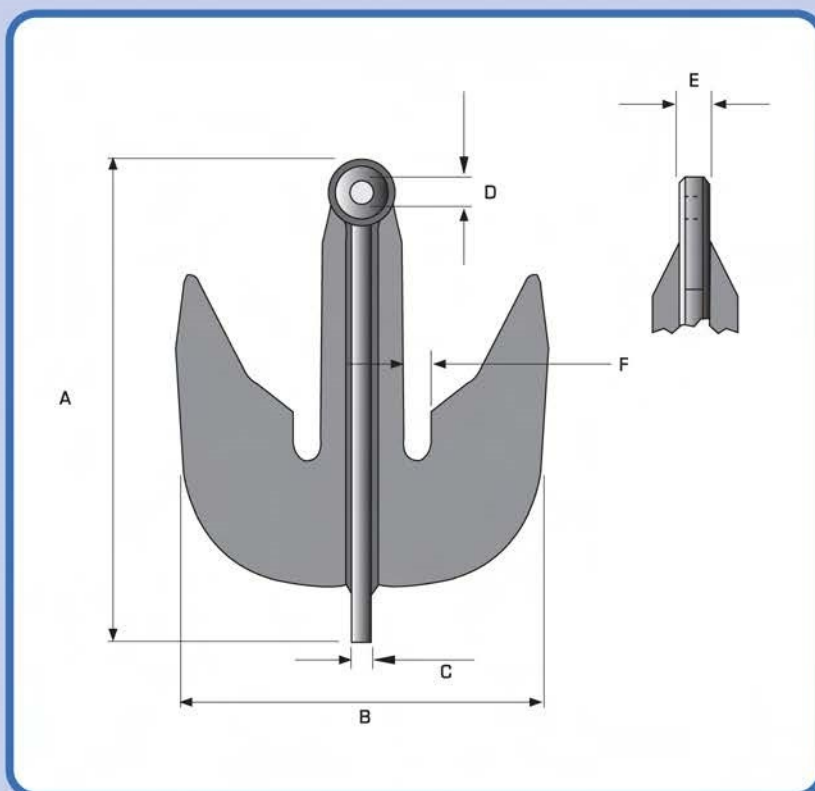


# BEL GRAPNEL

## CHAIN GRAPNEL

<b>BEL 109</b>	Designed with catch slots at the root of the flukes that will retain anchor chain up to 4 inches
<b>BEL 129</b>	Designed with catch slots at the root of the flukes that will retain anchor chain up to 4 inches
<b>BEL 139</b>	Designed with catch slots at the root of the flukes that will retain anchor chain up to 4 3/4 inches



### TYPES: BEL 109 - BEL 129 - BEL 139

TYPE	S.W.L	PROOF TEST	WEIGHT		A	B	C	D	E	F
<b>BEL 109</b>	100 Tonnes	150 Tonnes	1351 kg	mm	1178	1372	75	98	135	108
<b>BEL 129</b>	200 Tonnes	270 Tonnes	1850 kg	mm	1822	1499	90	114	130	108
<b>BEL 139</b>	250 Tonnes	350 Tonnes	2630 kg	mm	1994	1676	100	144	190	127

All dimensions in millimetres

Lifting eye dimensions and Safe Working Loads are standard for each type. Specials can be made to suit customer requirements

#### InterMoor Ltd

Tern Place House  
Tern Place, Bridge of Don,  
Aberdeen AB23 8JX

Tel: +44 (0) 1224 701830  
Fax: +44 (0) 1224 701831  
Sales.uk@intermoor.com

