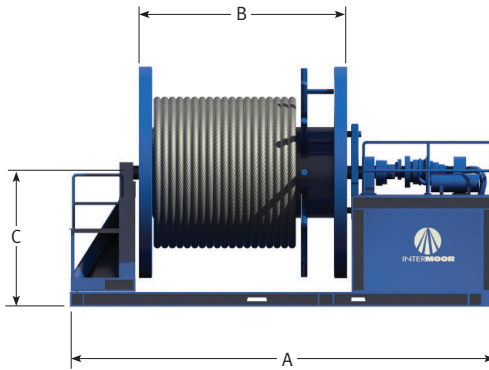


Spooling Equipment -
75 / 120 / 150 / 200 Te



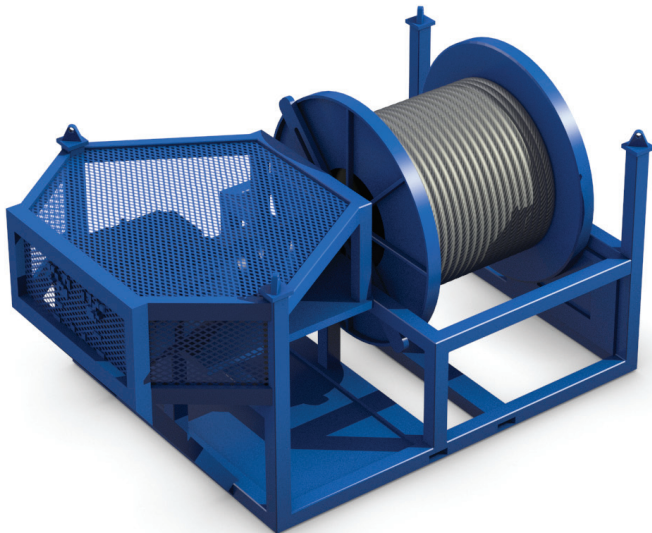
Spooling Equipment - 75 / 120 / 150 / 200 Te



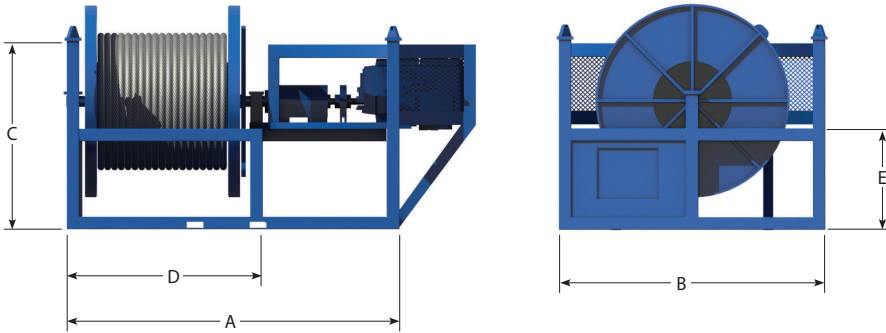
Capacity	A mm	B mm	C mm
75Te	6500	3500	2095
120Te	7025	3300	2340
150Te	8280	4873	2586
200Te	9372	5738	3691

NOTE Other sizes are available. Specification sheet is available on request.

January 15



Spooling Equipment - 4 Te



Capacity	A mm	B mm	C mm	D mm	E mm
4 Te	2650	2100	1500	1560	800

NOTE Other sizes are available. Specification sheet is available on request.

January 15