

Chain Connectors and Fittings



Kenter Thin



C-Type Connector



Kenter Shackle



Inter-M® H-Link
Chain Connector (LTM)



Kenter Anchor Shackle



Chain Clamp

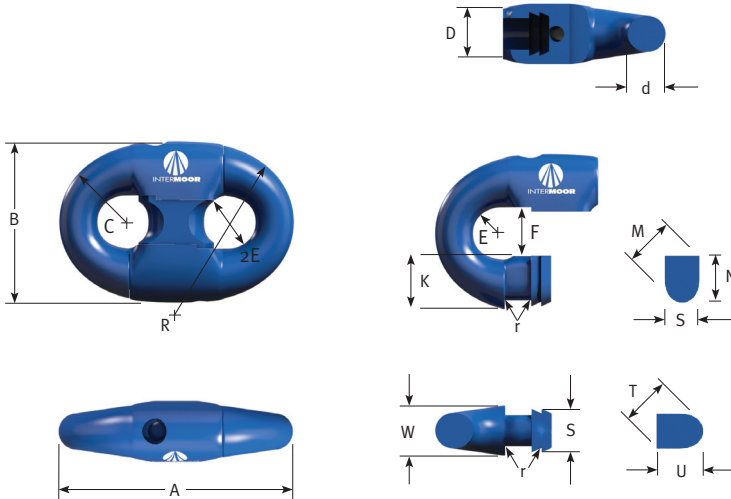


Pear Link





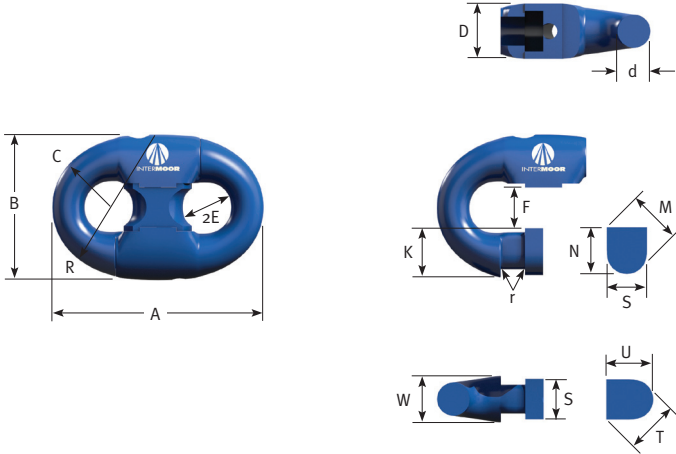




mm	A	B	C	E	R	K	S	M	N	W	F	T	U	D	d	r
26	156	109	48	17	117	36	21	37	34	32	29	41	34	34	26	1
38	228	160	70	25	171	53	31	54	50	46	43	60	49	49	38	1
52	312	218	95	35	234	73	43	73	69	63	59	83	68	68	52	2
64	384	269	117	43	288	90	52	90	84	78	72	102	83	83	64	2
70	420	294	128	47	315	98	57	99	92	85	79	111	91	91	70	2
76	456	319	139	51	342	106	62	107	100	93	86	121	99	99	76	2
84	504	353	154	56	378	118	69	118	111	102	95	134	109	109	84	3
92	552	386	168	62	414	129	75	130	121	112	104	146	120	120	92	3
102	612	428	187	68	459	143	84	144	135	124	115	162	133	133	102	3
114	684	479	209	76	513	160	93	161	150	139	129	181	148	148	114	3
120	720	504	220	80	540	168	98	169	158	146	136	191	156	156	120	4
127	762	533	232	85	572	178	104	179	168	155	144	202	165	165	127	4
137	822	575	251	92	617	192	112	193	181	167	155	218	178	178	137	4
152	912	638	278	102	684	213	125	214	201	185	172	242	198	198	152	5



Kenter Shackle



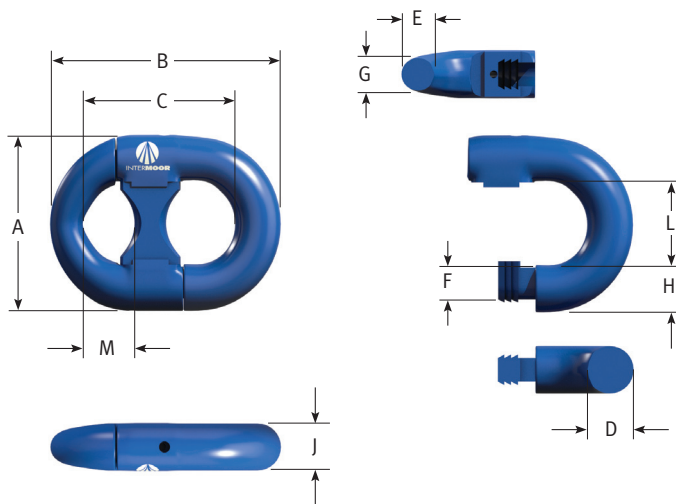
mm	A	B	C	E	R	K	S	M	N	W	F	T	U	D	d	r	Weight kg
26	156	109	48	17	117	36	29	38	34	35	29	41	34	40	26	1	3
38	228	160	70	25	171	53	42	55	50	51	43	60	49	58	38	1	9
52	312	218	95	35	234	73	57	75	69	70	59	83	68	79	52	2	21
64	384	269	117	43	288	90	70	93	84	86	72	102	83	97	64	2	39
70	420	294	128	47	315	98	77	102	92	94	79	111	91	106	70	2	52
76	456	319	139	51	342	106	84	110	100	102	86	121	99	116	76	2	67
84	504	353	154	56	378	118	92	122	111	113	95	134	109	128	84	3	86
92	552	386	168	62	414	129	101	133	121	123	104	146	120	140	92	3	119
102	612	428	187	68	459	143	112	148	135	137	115	162	133	155	102	3	160
114	684	479	209	76	513	160	125	165	150	153	129	181	148	173	114	3	180
120	720	504	220	80	540	168	132	174	158	161	136	191	156	182	120	4	188
127	762	533	232	85.1	572	178	140	184	168	170	144	202	165	193	127	4	200
137	822	575	251	91.8	617	192	151	199	181	184	155	218	178	208	137	4	215
152	912	638	278	102	684	213	167	220	201	204	172	242	198	231	152	5	245

January 15

Kenter Anchor Shackle



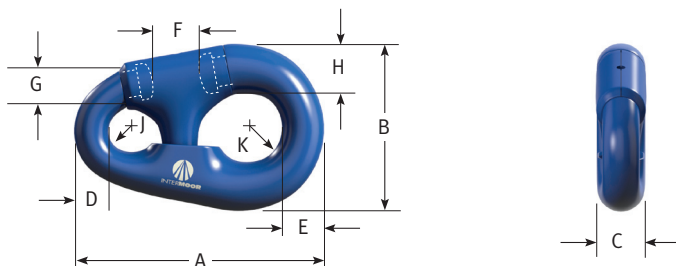
Kenter Anchor Shackle



Common Link mm	A	B	C	D	E	F	G	H	J	L	M
70	370	538	368	99	70	100	103	105	113	145	122
76	610	615	410	115	85	100	115	105	126	177	131
84	465	690	475	130	92	118	138	126	161	226	137
95	500	735	505	137	99	138	140	135	163	244	147

January 15



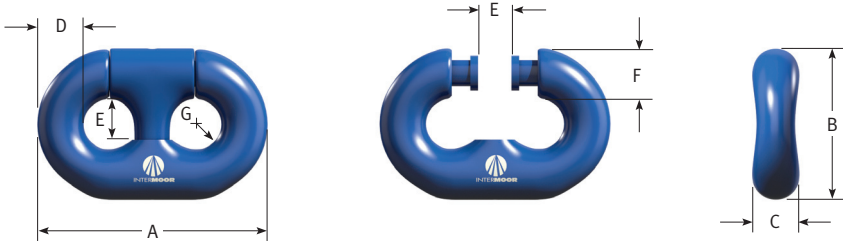


Type No	Chain Size mm	A mm	B mm	C mm	D mm	E mm	F mm	G mm	H mm	J mm	K mm	Weight kg
4	32-40	298	206	59	40	48	83	40x44	56	26	43	13
5	42-51	378	260	76	51	64	100	51x60	74	32	52	27
6	52-60	454	313	92	60	76	121	62x73	88	37	64	49
7	62-79	562	376	117	79	95	149	85x79	111	48	76	94
8	81-92	654	419	133	92	124	149	111x102	130x133	54	79	149
9	94-95	692	435	146	98	130	159	124x137	141	57	83	236
10	97-102	889	571	190	121	165	190	130	181	73	108	386
11	103-108	940	610	203	127	175	203	156	200	76	111	418

January 15



C-Type Connector



Chain Size mm	A	B	C	D	E	F	G	Weight kg
30 - 32	190.5	127	44	32	35	39	21	5
33 - 35	210	140	49	35	39	42	23	6
36 - 38	229	152	53	38	43	46	25	8
40 - 42	248	165	57	41	50	50	27	10
43 - 44	267	190	62	44	51	56	30	13
46 - 48	286	184	64	48	55	60	31	15
50 - 51	305	197	64	51	59	64	33	17
52 - 54	324	210	67	54	64	67	36	20
56 - 58	343	221	71	57	67	71	38	25
59 - 60	362	234	78	60	70	75	40	28
62 - 64	381	246	79	64	73	78	42	32
66 - 67	400	246	83	67	78	79	44	37
68 - 70	419	275	92	73	83	90	46	46
71 - 73	438	283	94	73	85	93	48	49
74 - 76	457	295	95	76	90	94	50	55
78 - 79	476	308	102	79	92	96	52	63
81 - 83	495	320	103	83	92	103	55	73
84 - 86	514	332	107	86	100	107	57	81
87 - 89	537	350	116	92	105	114	59	94
90 - 92	552	356	119	92	106	116	61	98
94 - 95	571	368	122	95	114	119	62	116
97 - 98	590	381	127	98	117	121	67	123
100 - 102	607	394	132	102	119	122	68	130

January 15

Inter-M® H-Link Chain Connector (LTM)



Inter-M[®] H-Link Chain Connector (LTM)

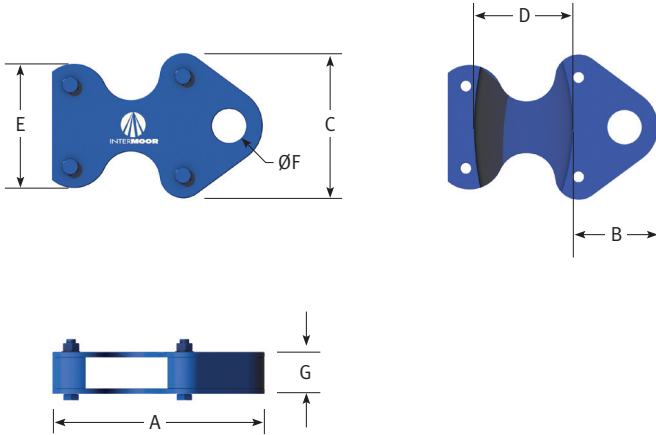


*Product range available from
76 mm to 210 mm.*

Inter-M[®] H-Link Chain Connectors are also available for both Wire to Chain and Fibre to Chain options.

NOTE *Specification sheets are available on request.*





Chain mm	SWL	PL	A	B	C	D	E	F	G
76	25Te	50Te	597	246	408	276	348	96	115
84	30Te	60Te	660	272	450	305	385	106	130

NOTE Other sizes are available. Specification sheet is available on request.

January 15

5

SWIVELS



Inter-M® Swivel



GN Swivel



Jaw Jaw Swivel



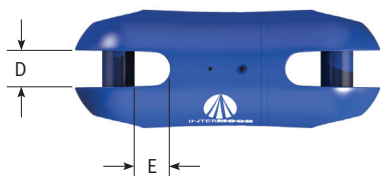
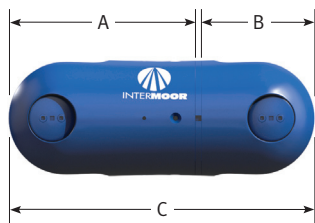
Bow Eye Swivel





Inter-M® Swivel





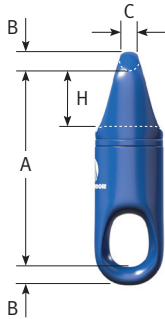
76/84 mm

A mm	B mm	C mm	D mm	E mm	PL kN	MBL Te	Unit Weight kg
560	344	922	102	93	5682	800	370

NOTE Other sizes are available. Specification sheet is available on request.

January 15



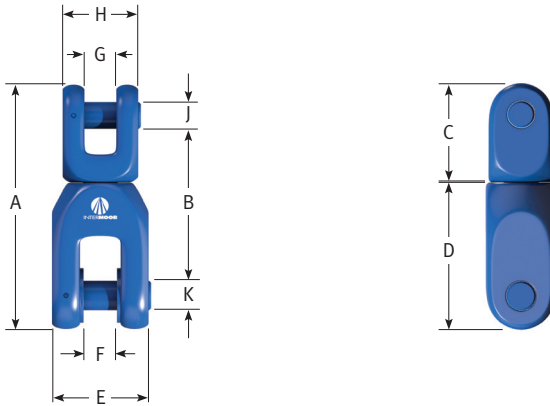


Size mm	MBL Te	PL Te	A mm	B mm	C mm	E mm	F mm	G mm	H mm	Weight kg
52	250	100	610	55	50	200	115	200	165	130
58	300	120	700	65	57	225	135	230	195	152
64	400	160	710	75	65	250	150	270	205	180
76	600	240	805	85	75	300	175	324	240	295
89	800	320	945	105	95	330	205	360	285	412
102	900	360	1065	110	100	360	225	380	320	520

NOTE Other sizes are available. Specification sheet is available on request.

January 15





Chain mm	A	B	C	D	E	F	G	H	J	K
64	813	589	304	502	358	141	90	256	83	109
76	965	699	361	597	426	167	106	304	99	129
84	1067	773	399	659	470	185	118	336	109	143
92	1168	846	437	722	515	202	129	368	120	156
102	1295	938	485	801	571	224	143	408	133	173
120	1524	1104	570	942	672	264	168	480	156	204

NOTE Other sizes are available. Specification sheet is available on request.

January 15



Bow Eye Swivel



Chain mm	A	B	C	D	E	F	G
64	621	403	301	243	243	77	77
76	737	479	357	289	289	91	91
84	815	529	395	319	319	101	101
92	892	580	432	350	350	110	110
102	989	643	479	388	388	122	122

NOTE Other sizes are available. Specification sheet is available on request.

January 15