

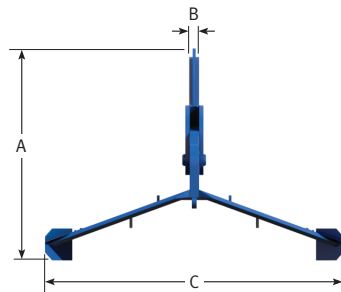
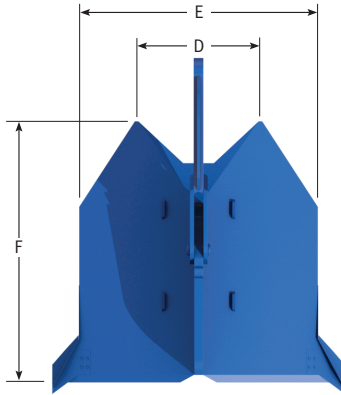
Dimensions in mm - Anchor weight in kg

Weight	A	B	C	D	E	F	G
5000	4288	2995	4659	3141	2768	594	1120
10000	5318	3715	5778	3895	3434	737	1389
15000	6012	4199	6531	4403	3881	833	1571
20000	6764	4725	7349	4954	4367	937	1767
30000	7742	5408	8412	5671	4999	1072	2033
40000	8437	5893	9166	6179	5447	1169	2204

**NOTE** Other sizes are available. Specification sheet is available on request.

January 2015





Omni-Directional Dennla	A mm	B mm	C mm	D mm	E mm	F mm
14m <sup>2</sup>	3384	160	4836	2077	3930	4308

**NOTE** Other sizes are available. Specification sheet is available on request.

January 2015

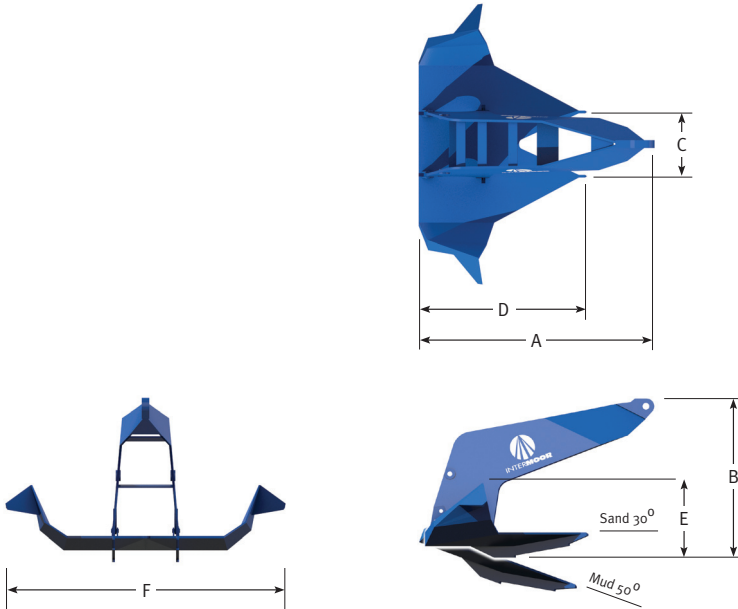
Bruce Mk 4 Twin Shank



INTERMOOR



## Bruce Mk 4 Twin Shank

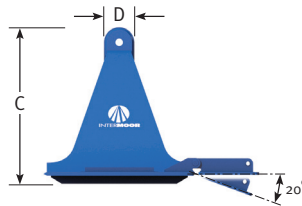
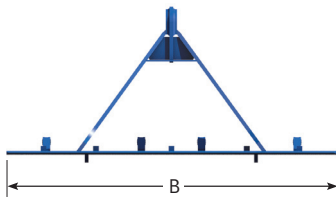


Weight kg	A mm	B mm	C mm	D mm	E mm	F mm
500	1827	1280	500	1303	606	2188
1500	2648	1854	723	1888	878	3172
3000	3409	2388	931	2431	1131	4085
5000	4029	2822	1100	2873	1336	4828
9000	4846	3394	1324	3456	1607	5806
10000	5087	3563	1390	3628	1687	6095
12000	5437	3808	1486	3878	1803	6514
15000	5728	4012	1566	4085	1900	6864
18000	6129	4292	1674	4371	2032	7343
20000	6319	4426	1726	4507	2096	7571
30000	7225	5060	1974	5153	2396	8656
40000	8034	5627	2195	5730	2664	9626

**NOTE** Other sizes are available. Specification sheet is available on request.

January 2015





Estimated Steel Weight (lbs)	A mm	B mm	C mm	D mm
51000	6706	4332	3124	610

**NOTE** Other sizes are available. Specification sheet is available on request.

January 2015